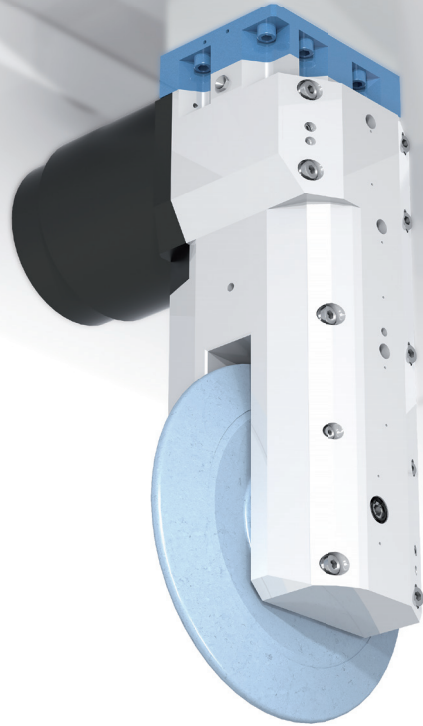
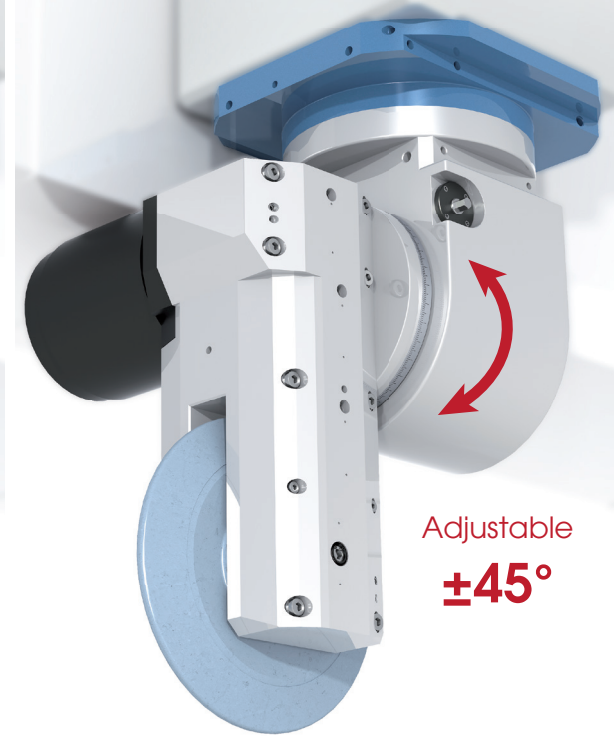


Gear Grinding Heads Series



Adjustable
±45°



Adjustable
±45°

G.186 Inner / Outer Gear Grinding

To M3 for M20 / Gear and Spline Grinding. Driven by machine.

G.187 Inner / Outer Gear Grinding Driven by Motor

To M3 for M20 // Gear and Spline Grinding. Driven by motor on board.

G.188 Inner / Outer Straight / Helical Gear Grinding

To M3 for M20 / Manual Positioning. Driven by machine.

G.189 Inner / Outer - Straight / Helical Gear Grinding Driven by Motor

To M3 for M20 / Manual Positioning. Driven by motor on board.

Main features: Manual tool clamping - Cooled bearings - Different length options - Flanged to any machine. On G.188-G.189 optional: Automatic Angular Position.

V 1.0 We reserve the right to modify the information without prior notice.

MADAULA GROUP: Nashville, Sao Paulo, Barcelona, Annecy, Bologna



Carrer de Barcelona, 146
St. Fost - Barcelona, 08105



(34) 935 933 600
(34) 935 700 799



www.madaula.com
commercial@madaula.com

